

“Stay Connected” with



HEYware Products

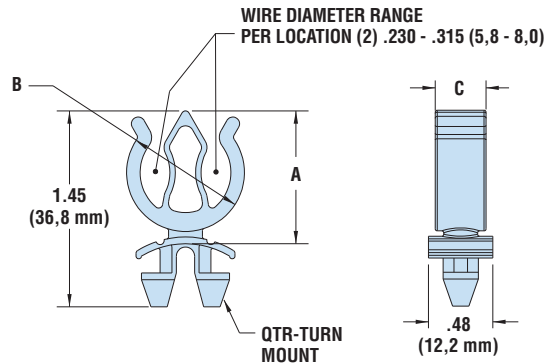
a PennEngineering® Company



Heyco® Quarter-Turn Mount Wire Clips Helios QTM Series

- All new Quarter-Turn Mount (QTM), designed to work with all versions of the standard 80/20 rail and racking system in the market today.
- Simple application by hand with quick twist 90 degrees for friction fit swivel hold in place and high pull out retention
- Simply twist to remove for routing and location adjustment
- Holds up to 2 cables between .230 - .315" (5,8 - 8,0 mm) each.
- Cables install with fingertip pressure.
- Design provides high axial retention with one cable and even better with both cable bays filled.
- Material choices cover a number of application requirements for flammability and temperature.

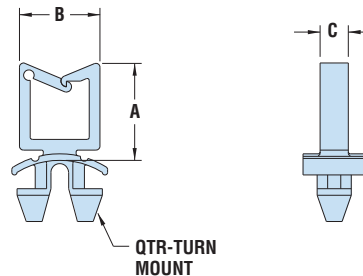
WIRE DIAMETER RANGE 1-2 Wires	PART NO.			DESCRIPTION	PART DIMENSION					
	Nylon 6/6 Natural	HS Nylon 6/6 Black	VO Nylon 6/6 Black		A Height		B Width		C Depth	
					in.	mm.	in.	mm.	in.	mm.
.230 (5,8 mm) - .315 (8,0 mm) Each Cable	S6632	S6632B	S6632F	Helios QTM	1.01	25,7	.87	22,1	.38	9,6



CHQTM Series

- All new Quarter-Turn Mount (QTM), designed to work with all versions of the standard 80/20 rail and racking system in the market today.
- Simple application by hand with quick twist 90 degrees for friction fit swivel hold in place and high pull out retention.
- Simply twist to remove for routing and location adjustment.
- Gather and direct single or bundles of wires at low cost.
- Vertical for top entry and narrow width for easy application of wires and small footprint.
- Latch gate locks cables in place.
- Latch gate releasable for repair, replace or addition to previously placed wires.
- Material choices cover a number of application requirements for flammability and temperature.

WIRE CAPACITY		PART NO.			DESCRIPTION	PART DIMENSION					
in.	mm.	Nylon 6/6 Natural	HS Nylon 6/6 Black	VO Nylon 6/6 Black		A Height		B Width		C Depth	
					in.	mm.	in.	mm.	in.	mm.	
.44 x .14	11,1 x 3,6	4420	4420B	4420F	CHQTM L-12	.50	12,7	.61	15,5	.22	5,6
.44 x .33	11,1 x 8,4	4425	4425B	4425F	CHQTM L-18	.74	18,8				
.44 x .69	11,1 x 17,5	4430	4430B	4430F	CHQTM L-27	1.09	27,7				
.44 x 1.00	11,1 x 25,4	4435	4435B	4435F	CHQTM L-35	1.40	35,6				



Material	Natural Nylon 6/6	Black Heat Stable / UV Stable Nylon	Black Nylon 6/6
Flammability Rating	UL 94 V-2	UL 94 V-2	UL 94 V-0
Temperature Range	32°F (0°C) to 185°F (85°C)	-40°F (-40°C) to 239°F (115°C)	-40°F (-40°C) to 185°F (85°C)

“Stay Connected” with



HEYware Products

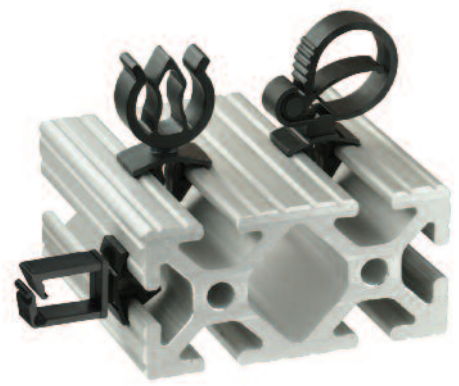
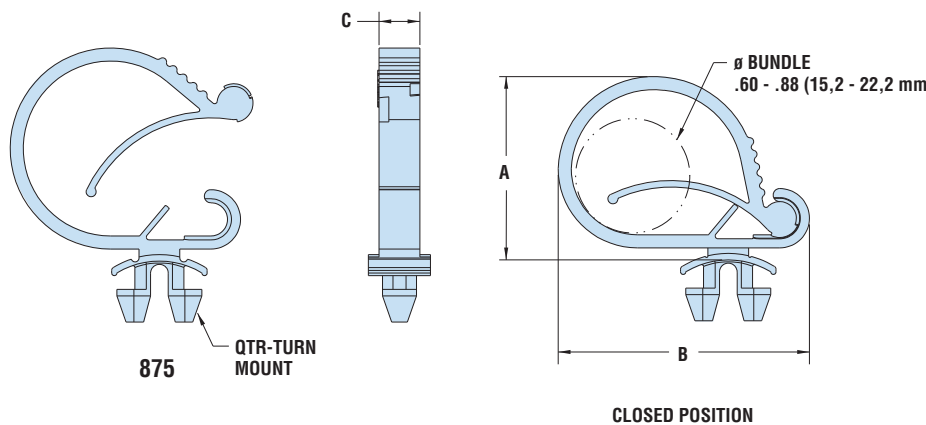
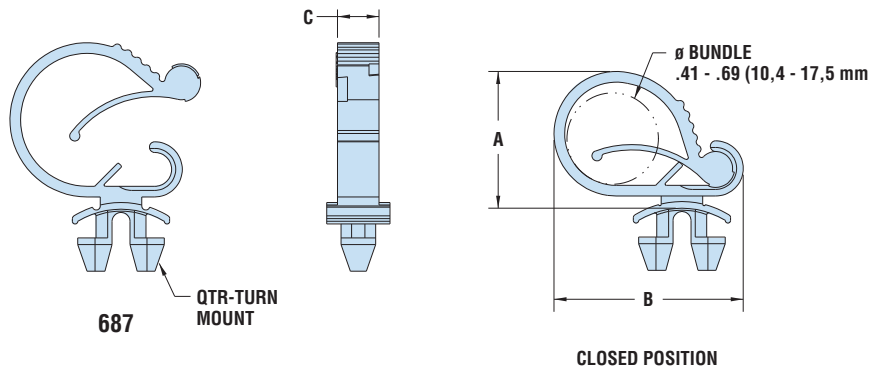
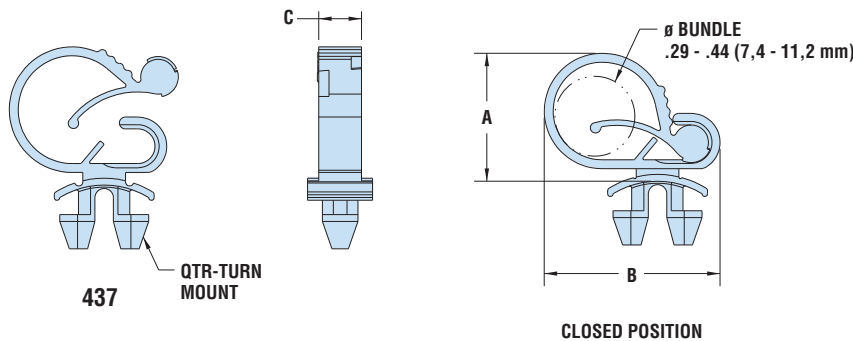
a PennEngineering® Company

Heyco® Quarter-Turn Mount Wire Clips SBCQTM Series

BUNDLE DIAMETER				PART NO.			DESCRIPTION	PART DIMENSION					
Nylon 6/6 Natural		HS Nylon 6/6 Black		VO Nylon 6/6 Black		A Height		B Width		C Depth			
in.	mm.	in.	mm.				in.	mm.	in.	mm.	in.	mm.	
.29	7,4	.44	11,2	15400	15400B	15400F	SBCQTM 437	.99	25,1	1.12	28,4		
.41	10,4	.69	17,5	15402	15402B	15402F	SBCQTM 687	1.16	29,5	1.24	31,5	.31	7,9
.60	15,2	.88	22,2	15404	15404B	15404F	SBCQTM 875	1.46	37,1	1.66	42,2		



- All new Quarter-Turn Mount (QTM), designed to work with all versions of the standard 80/20 rail and racking system in the market today.
- Simple application by hand with quick twist 90 degrees for friction fit swivel hold in place and high pull-out retention.
- Simply twist to remove for routing and location adjustment
- Wide cable diameter range handles multiple applications.
- Releasable and reusable.
- Secure clamping will not release easily.
- Locking feature prevents twisting apart.
- Material choices cover a number of application requirements for flammability and temperature.



Material	Natural Nylon 6/6	Black Heat Stable / UV Stable Nylon	Black Nylon 6/6
Flammability Rating	UL 94 V-2	UL 94 V-2	UL 94 V-0
Temperature Range	32°F (0°C) to 185°F (85°C)	-40°F (-40°C) to 239°F (115°C)	-40°F (-40°C) to 185°F (85°C)