

“Stay Connected” with



HEYware Products

a PennEngineering® Company



Heyco® Latches and Strikers

Latches

MOUNTING HOLE SIZE		PANEL THICKNESS		PART NO.	DESCRIPTION	PART DIMENSIONS						STRIKER Part No.
in.	mm.	in.	mm.			A Length		B Head Dia.		C Head Ht.		
				Natural		in.	mm.	in.	mm.	in.	mm.	

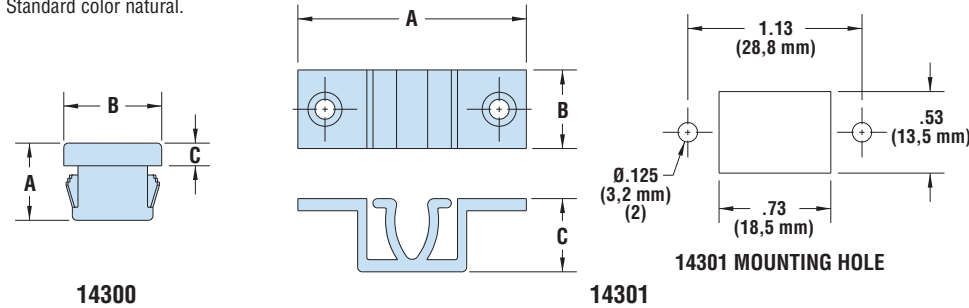
Round Mounting Hole Latch

.354	9,0	.05 - .06	1,2 - 1,6	14300	DL-10F-N2W	.33	8,5	.43	10,8	.10	2,5	14304
------	-----	-----------	-----------	--------------	------------	-----	-----	-----	------	-----	-----	-------

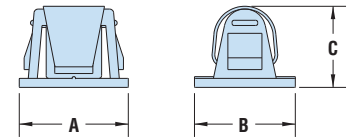
Rectangular and Compound Mounting Hole Latches

see schematic				14301	DL-009-POW	1.49	37,8	.51	13,0	.48	12,1	14305
.465 x .665	11,8 X 16,9	.04	1,0	14302	DL-20-W	.79	20,0	.73	18,5	.59	14,9	14306
.515 x .656 Rect.	13,1 x 16,7	.04 - .06	1,0 - 1,5	14308	DL-30-W	.78	19,8	.72	18,3	.70	17,8	14307

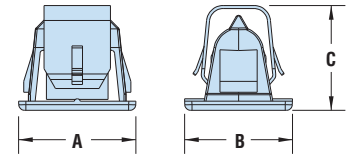
Standard color natural.



- Latches and Strikers assemble together to keep a panel closed tightly.
- Design ensures an easy release when needed.



14302

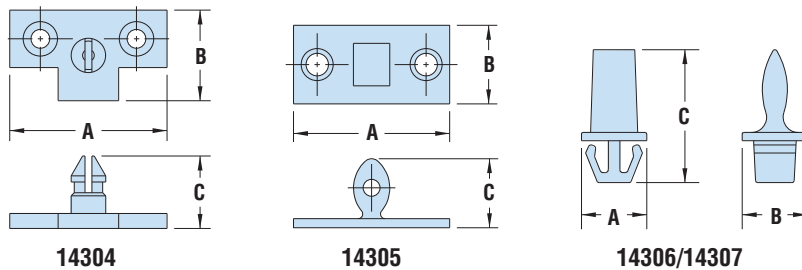


14308

Strikers

MOUNTING HOLE(S)		PART NO.	DESCRIPTION	PART DIMENSIONS						Use with Latch Part No.		
Diameter	Separation			A Length		B Head Dia.		C Height				
in.	mm.	Natural		in.	mm.	in.	mm.	in.	mm.			
.122	3,1	.63	15,9	14304	DLS-10A-W	1.02	25,9	.59	15,0	.47	12,0	14300
.125	3,2	.71	18,0	14305	DLS-008-N2W	1.02	25,9	.51	13,0	.45	11,4	14301
.283 x .335	7,2 x 8,5	n/a		14306	DLS-20A-WA	.43	10,9	.43	10,9	.81	20,6	14302
.286 - .291 Sq. Hole	7,3 - 7,4 Sq. Hole	n/a		14307	DLS-30-W	.43	10,9	.43	10,9	.81	20,6	14308

Standard color natural.



Material: Nylon 6/6
 Flammability Rating: 94V-2
 Temperature Range: 32°F (0°C) to 185°F (85°C)

Quick Specs